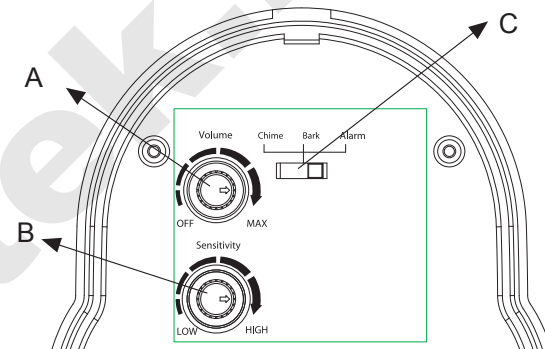


Intelligent Watching Dog

Thank you for purchasing this product, and it is made with three special functions as Built-in 360-degree detector / 3 different alarm sounds / Waterproof design.

Please read the manual carefully before using it and then keep this manual on file for future reference.



Function Switch & Illustration

A. **Volume**: from OFF to MAX by turning the switch from left to right.

B. **Sensitivity**: from LOW to HIGH by turning the switch from left to right.

C. **Mode**: 3-way switch

- **Chime** - Playing the doorbell sound " Ding-Dong "
- **Bark** - Playing the dog barking noise " bow-wow ".
- **Alarm** - Playing the "Alarm Sound"

How to use

1. Install batteries or plug in AC to DC adapter:

When the users set this product indoors, they can use it by plugging in DC adapter. Contrary to place it indoors, the users can choose to install batteries.

2. When the product is powered, it automatically detects any movement around it in the range of 360-degree.

Regulatory statement

European standards dictate maximum radiated transmit power of 100mW EIRP and frequency range 2.400-2.4835GHz; In France, the equipment must be restricted to the 2.454 -2.4835GHz frequency range and must be restricted to indoor use.

CE Declaration of Conformity

For the following equipment: Intelligent Watching Dog (Animal Chaser)

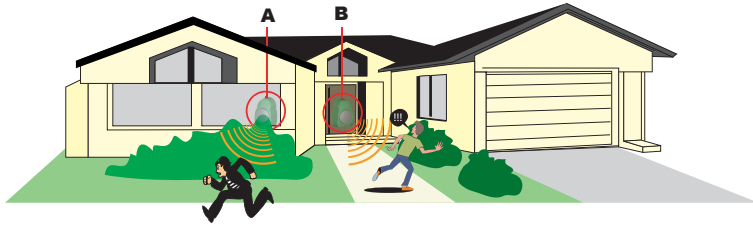
CE 0984 ⚠

Is herewith confirmed to comply with the requirements set out in the Council Directive on the Approximation of the Laws of the Member States relating to Electromagnetic Compatibility (ENC 2004/108/EC), Low-voltage Directive (73/23/EEC) and the Amendment Directive (93/68/EEC), the procedures given in European Council Directive 99/5/EC and 89/3360EEC.

The equipment was passed. The test was performed according to the following European standards:

EN 300 440-2/-1 V.1.6.1 (2004)

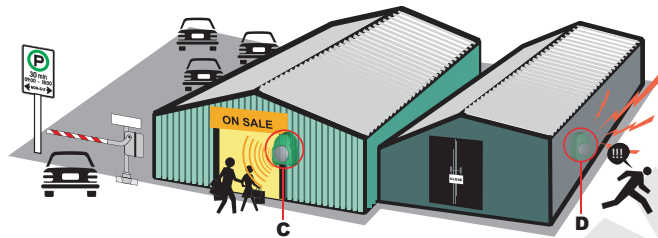
EN 301489-1/-3 V.1.4.1 (2002)



When you are not at home, Intelligent Watching Dog will be your guard, and its built-in sensor 360-degree detects and scares away the strangers.

This product can be set inside or outside your house.

- A. **"BOWWOW!!!"** The noise dog bow-wow will scare away the thieves.
- B. **"Dingdong~~~"** Ringing automatically when strangers get close to your house.



Intelligent Watching Dog will be your guard, and its built-in sensor welcomes the customers during the day and scares away the strangers during the night.

This product can be set inside or outside your store.

- C. **"Dingdong~~~"** Ringing automatically when customers get close to your store.
- D. **"Alarm Sound"** The noise alarm sound will scare away the thieves.



When you go camping, Intelligent Watching Dog will be your body guard, and its built-in sensor 360-degree detects and scares away the strangers and animals.

This product can be set indoor or outdoor.

- E. **"BOWWOW!!!"** The noise dog bow-wow will scare away the small animals.
- F. **"Alarm Sound"** The noise alarm sound can scare away the thief is trying to steal your car.

Electrical Specifications

The DEVICE consumes very little electrical power when in the detecting mode but uses more power when activating.

- * Voltage : 9VDC
- * Frequency : 2.4 GHz
- * Net Weight : 1.0 Kg, including AC TO DC adapter
- * Power Barking : 2.6 Watts
- * Size : 198(L) x 138(W) x 98(H) mm
: 7.79(L) x 5.43(W) x 3.86(H) in
- * Power Supply : AA size battery x 6 (not included) or
: AC TO DC adapter (Optional)
- * Range : 2 ~8 m